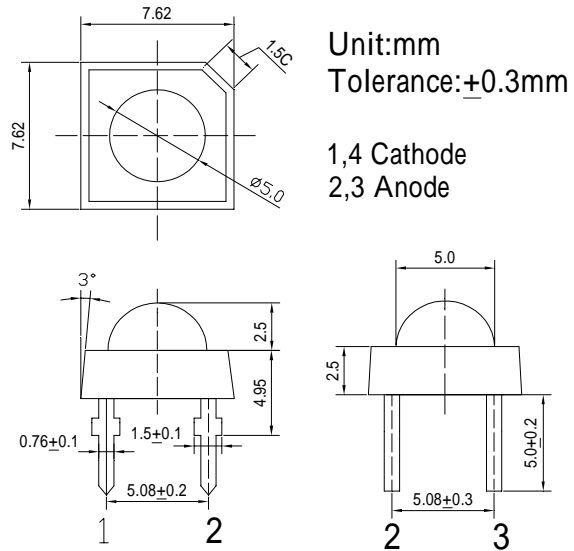


■Features

- High Luminous Super Flux Output
- 5 σ Standard Directivity
- Superior Weather-resistance
- UV Resistant Epoxy
- Water Clear Type

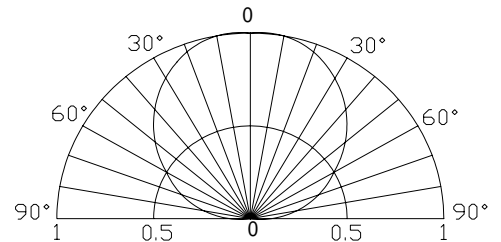
■Applications

- Traffic signal, Portable light source
- Signage and channel letter
- Decorating and entertainment lighting
- Architectural lighting
- Outdoor/Indoor applications/Other Lighting

■Outline Dimension

■Absolute Maximum Rating

(Ta=25)

| Item | Symbol | Value | Unit |
|----------------------------|-----------|------------|------|
| DC Forward Current | I_F | 70 | mA |
| Pulse Forward Current* | I_{FP} | 120 | mA |
| Reverse Voltage | V_R | 5 | V |
| Power Dissipation | P_D | 168 | mW |
| Operating Temperature | T_{opr} | -30 ~ +85 | |
| Storage Temperature | T_{stg} | -40 ~ +100 | |
| Lead Soldering Temperature | T_{sol} | 260 /5sec | - |

■Directivity


*Pulse width Max.10ms Duty ratio max 1/10

■Electrical -Optical Characteristics

(Ta=25)

| Item | Symbol | Condition | Min. | Typ. | Max. | Unit |
|---------------------|-----------------|------------|------|------|------|---------|
| DC Forward Voltage | V_F | $I_F=20mA$ | 1.8 | 2.1 | 2.4 | V |
| DC Reverse Current | I_R | $V_R=10V$ | - | - | 10 | μA |
| Domi. Wavelength* | λ_D | $I_F=20mA$ | 585 | 590 | 595 | nm |
| Luminous Intensity* | I_v | $I_F=20mA$ | - | 1700 | - | mcd |
| 50% Power Angle | $2\theta_{1/2}$ | $I_F=20mA$ | - | 120 | - | deg |

 *1 Tolerance of dominant wavelength is $\pm 1nm$

 *2 Tolerance of luminous intensity is $\pm 15\%$
Maximum Forward DC Current
